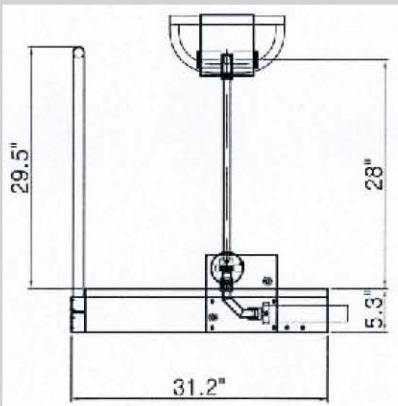


# Advance Step Podiatry X-ray System

**Power**

**Quality**

**Value**



## Features

### X-ray Tube and Generator

- 90kV, 15mA High Frequency Generator
- Minimize Exposure Time
- Compare to Leading Competitor's High Power Series
- Clear Images for any Extremity Shot
- Push Button Controlled Digital Display
- Four Programmable Settings

### Electrical Requirements

- Plugs into standard 110V power outlet
- No dedicated line required
- Electronic voltage compensation

### Stand

- Fixed 28" vertical and horizontal SID
- 5 & 1/2" platform height
- 29 & 1/2" platform length
- 23 & 1/2" platform width
- 29.5" hand rail height
- 31 & 1/2" width (including arm assembly)
- Supports 400lbs of weight
- Assembles in minutes
- Highly durable finish

A/C X-RAY CORP.

P.O. Box 560424, Miami, FL 33256

Ph: 305-889-5802 Web: [www.acxray.com](http://www.acxray.com)